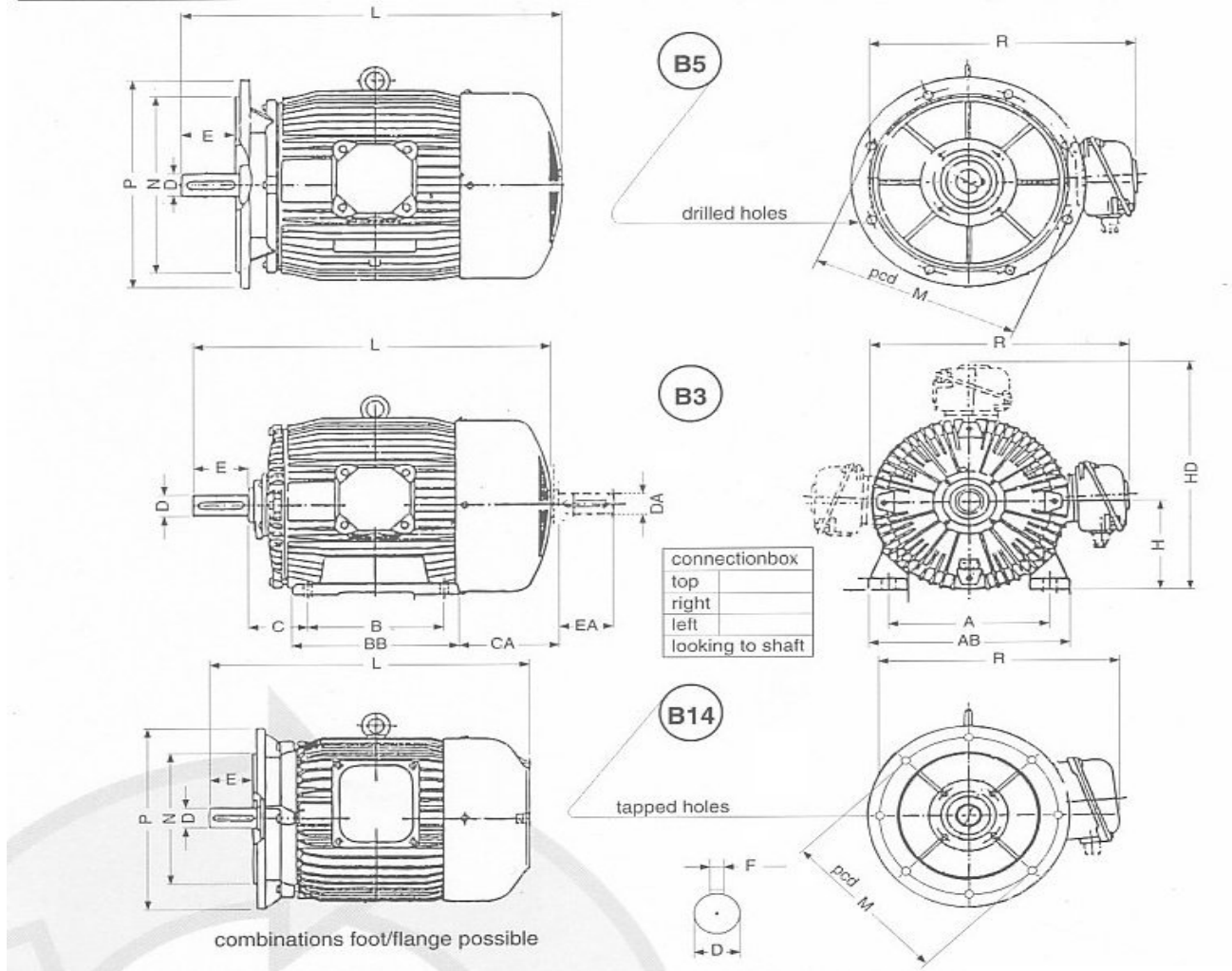


Multiple Dimensionsheet



All dimensions in mm

Shaft dimensions

A	B	H	P	N	M	L	BB	AB	C	CA	EA	DA	R	HD	D	F	E	
MAKE			TYPE					KW		VOLTS		AMPS		RPM		HZ		IP
B5		← Please fill in												Remarks				
B3																		
B14																		
options	PTC's	:yes/no	temperature range:	°C		STARTING METHOD:		If no starting method is chosen, direct on line will be the standard										
	PT100	:yes/no	temperature range:	°C		DIRECT ON LINE												
	KLIXON	:yes/no	temperature range:	°C		STAR-DELTA												
	HEATERS	:yes/no	voltage:	V		SOFTSTARTER												
	BRAKE	:yes/no	torque:	Nm		FREQUENCY CONVERTER												